

**QUESTIONNAIRE FOR
STEEP ANGLE CONVEYOR BELT**

User Company details:



Contact: 033 2440 3422
Mobile: 09836230874
E-mail: info@synergyispl.com

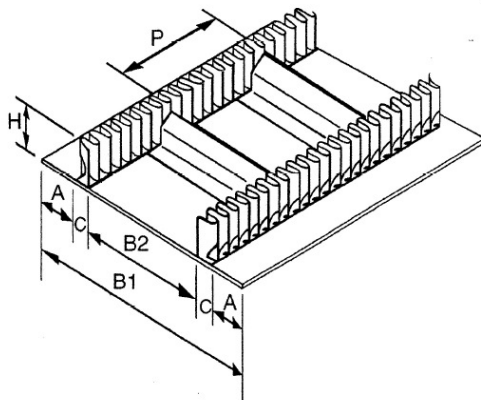
our ref.:

New construction

Replacement belt

The questionnaire is to be completed with as many information as possible in order for us to offer the best possible solution.

NECESSARY INFORMATION	Distance	$\varphi - \varphi :$	m	LINE ROUTING: Type: <input type="text"/>	
	Angle	$\alpha :$	Δ°	A	B
	Distance	a:	m		
	Distance	b:	m		
	Distance	c:	m		
	Distance	H:	m		
	Angle	$\beta :$	Δ°		
	Materials				
	Capacity		t/h		
	Capacity		m ³ /h		
	Bulk Density		t/m ³		
	Temp. of goods		°C		
Ambient temperature		°C			
SUPP. INFORMATION	Rubber quality	Abrasion resistant/ Heat resistant/ Oil resistant			
	Angle of slide	Δ°			
	Lump size (Max)		mm	ALTERNATIVE LINE ROUTING	
	Humidity		%	G	H
	Moisture Content		%		
	Belt wide		mm		
	Belt Speed		m/sec		
	Type of STEEP ANGLE BELT				



B1:	mm
B2:	mm
A :	mm
C :	mm
H :	mm
P :	mm

Additional remarks: